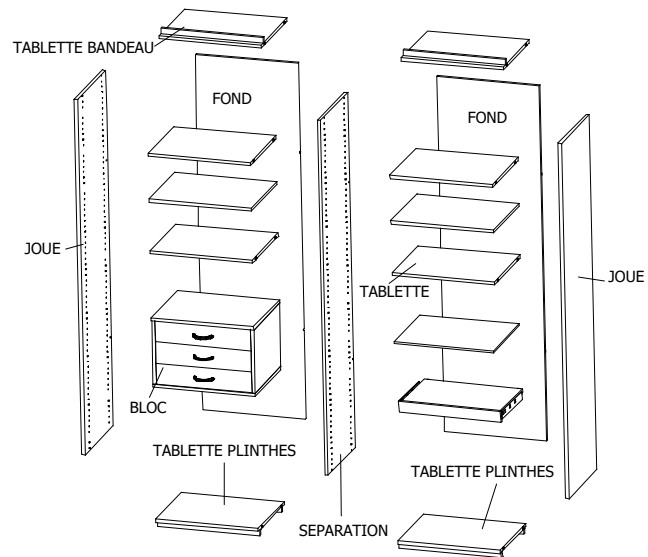
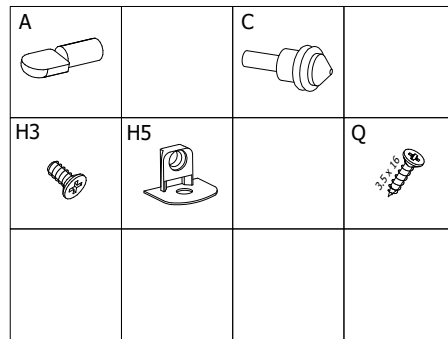
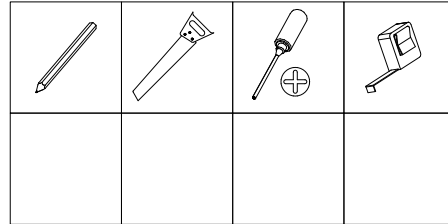
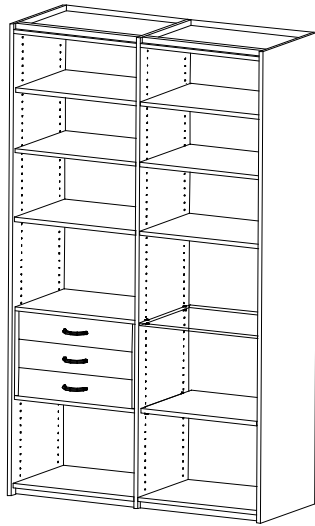


SUR-MESURE

NOTICE
DE POSE
N° SM4
JUN 2013

Tablettes plinthes et bandeau par module, fond 19mm



1

Diagram 1 shows the back panel (FOND) being attached to the side panel (JOUE). The process involves:

- Inserting a screw into the back panel.
- Aligning the back panel with the side panel.
- Inserting a screw into the side panel to secure the back panel.

 A warning note states: "Dans l'impossibilité de serrer les kits fonds, vous pouvez passer cette étape. Attention toutefois à bien serrer les kits tablettes." (If you cannot tighten the back panel kits, you can skip this step. Attention, however, to tighten the shelf kits well.)

H3

H5

2

Diagram 2 shows the top band (TABLETTE BANDEAU) and fixed shelves (TABLETTE FIXE) being attached to the side panel (JOUE). The process involves:

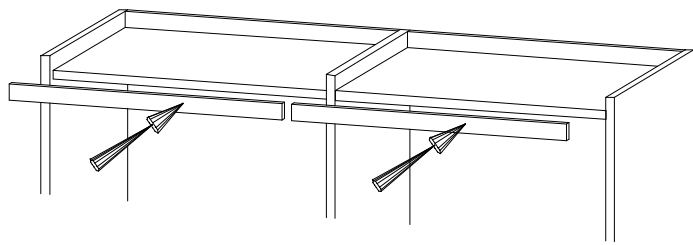
- Inserting a screw into the side panel to secure the top band.
- Inserting a screw into the side panel to secure the fixed shelves.
- Inserting a screw into the side panel to secure the bottom panel (TABLETTE PLINTHES).

 A warning note states: "BLOCK" (indicating not to block the screws).

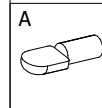
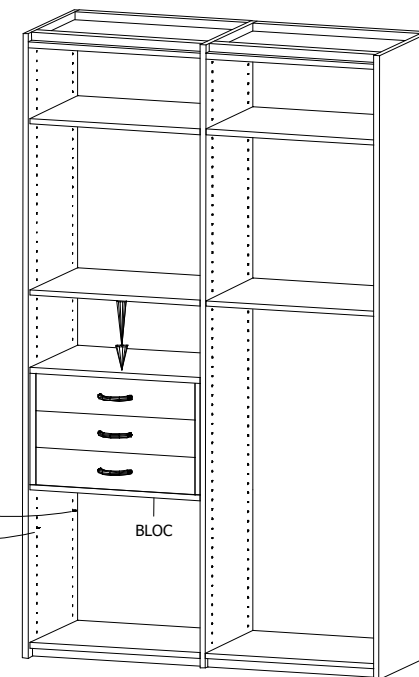
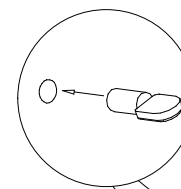
H3

H5

3 Bandeau a poser ou à coller.

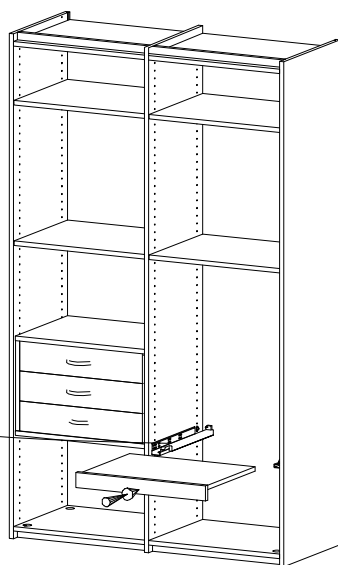
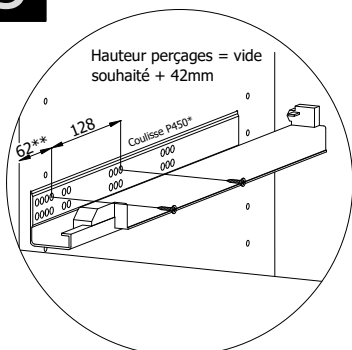


4

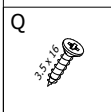


Un sachet avec les taquets se trouve dans le caisson.

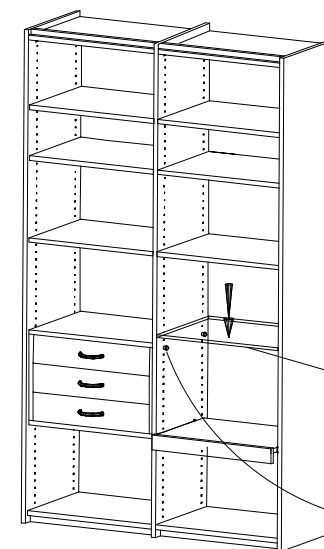
5



* Coulisse 270 : AV 62 Entr 96
 Coulisse 300,350,400,450 : AV 62 Entr 128
 Coulisse 500,550 : AV 62 Entr 224
 ** Pour un retrait de 5mm (joue / tab)



6



TABLETTE VERRE

