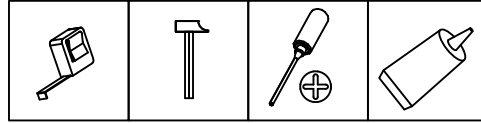
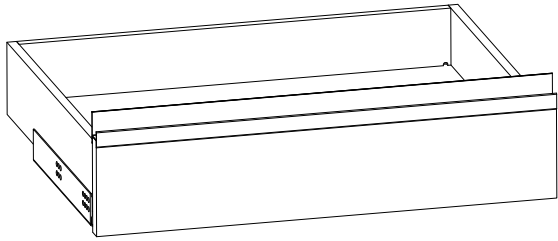
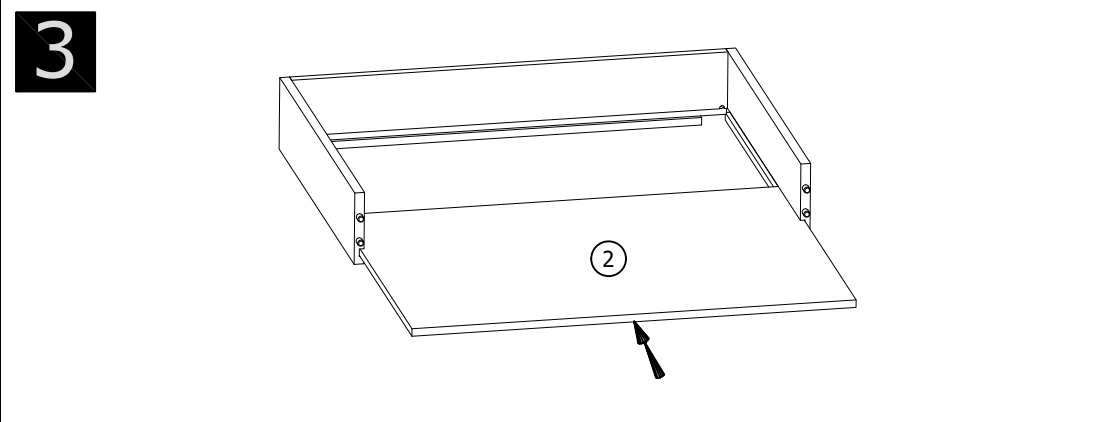
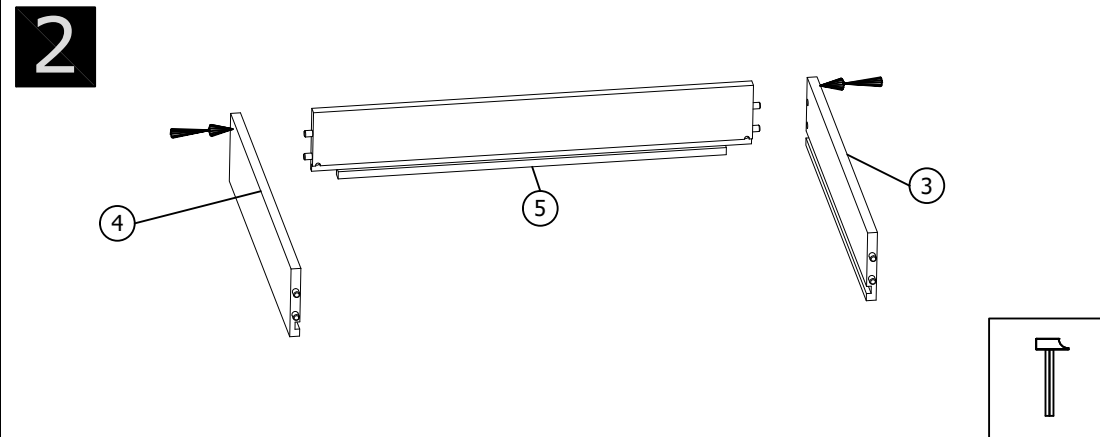
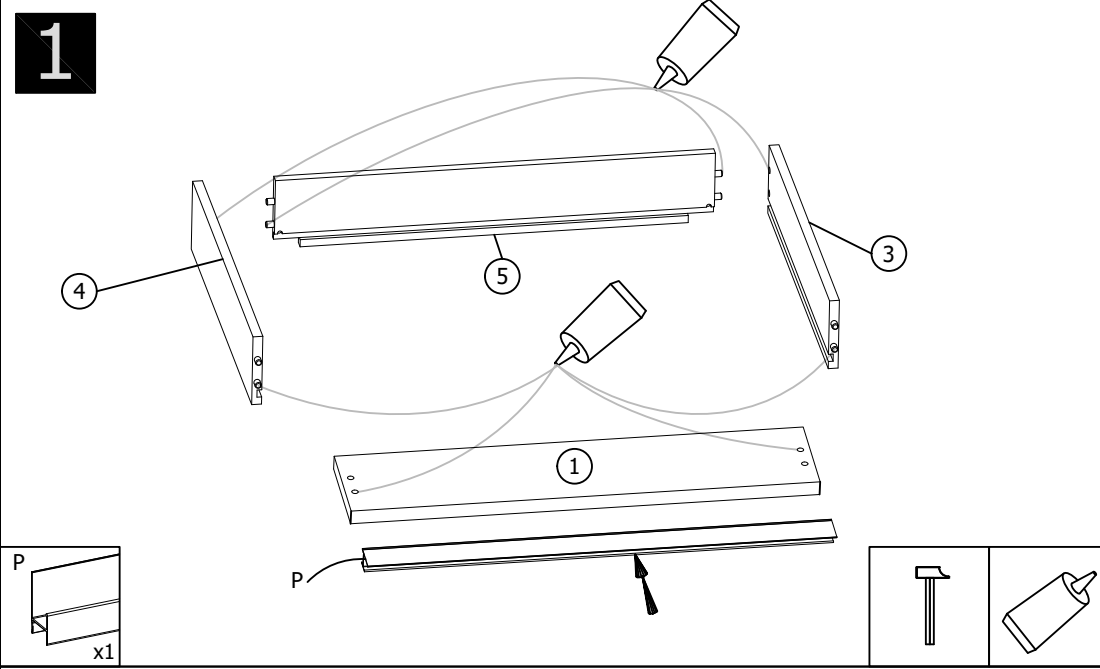
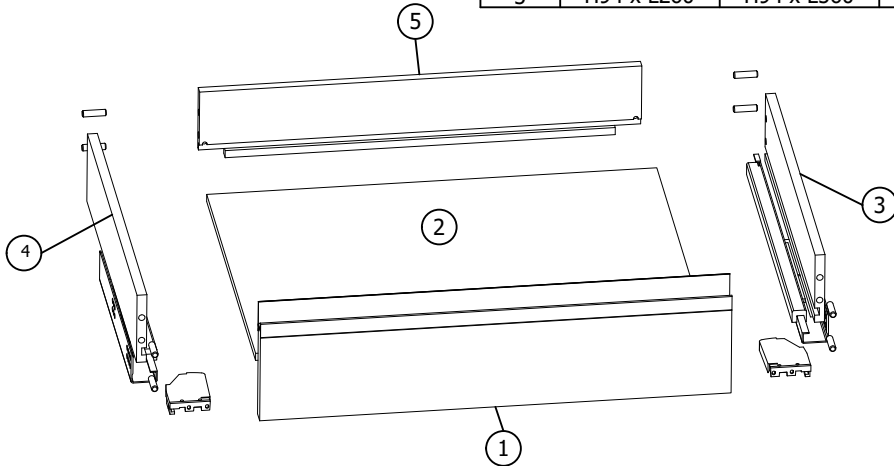


MONTAGE TIROIR

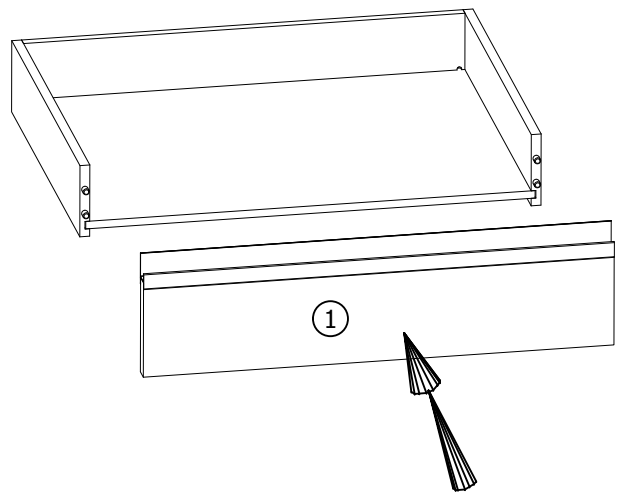


P	COUL	AT
x1	x1	x1
V1	V2	H3
4.5x16 x8	3.5x12 x2	x4

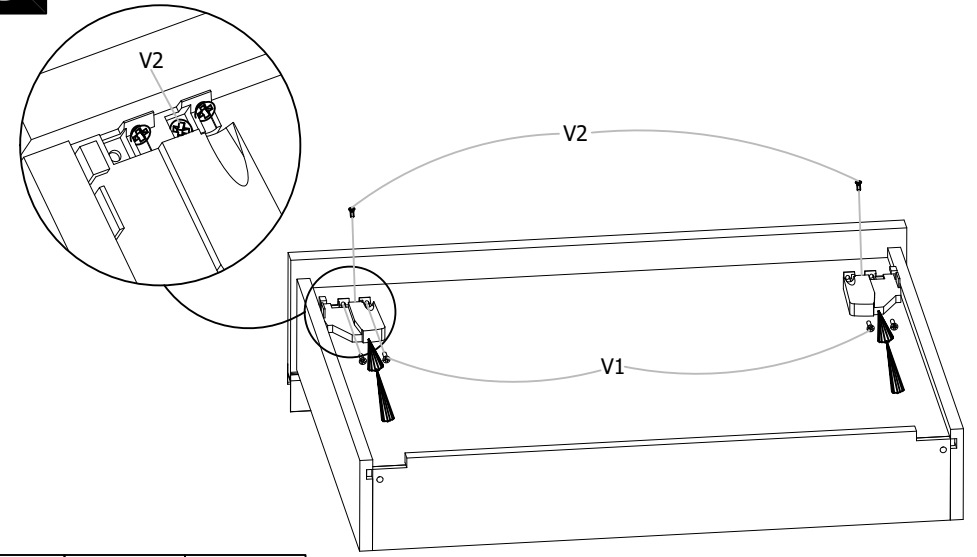
N°	ELEMENTS		
	dimensions		
Type	L302	L602	L902
1	H158 x L297	H158 x L597	H158 x L897
2	L270 x P433	L570 x P433	L870 x P433
3	H94 x P440	H94 x P440	H94 x P440
4	H94 x P440	H94 x P440	H94 x P440
5	H94 x L260	H94 x L560	H94 x L860



4

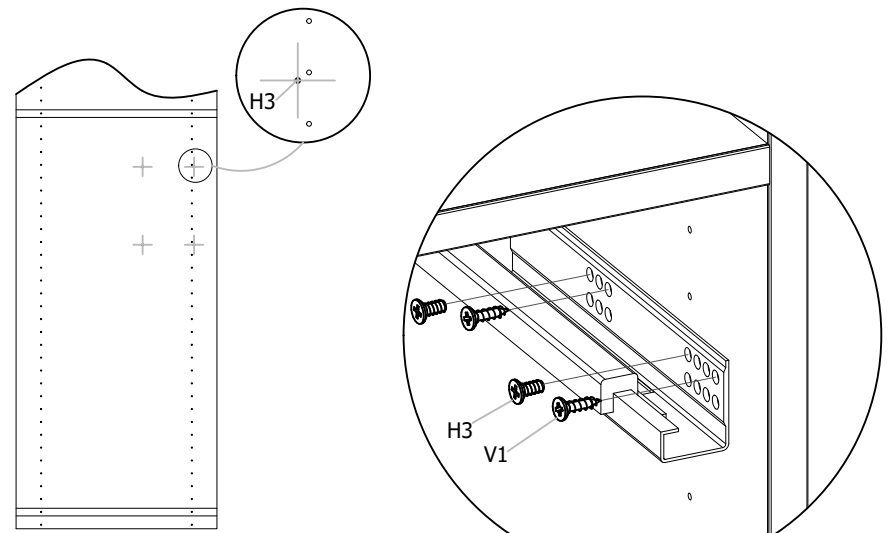


5



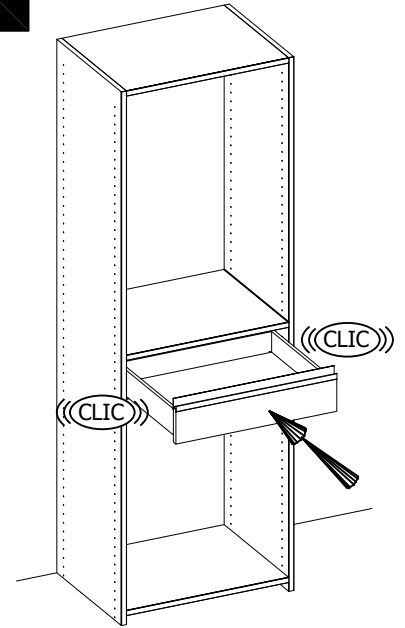
	AT x1	V1 3,5x16 x4	V2 3,5x12 x2	
--	--------------	------------------------	------------------------	--

6



Position des perçages pour visser les coulisses.

7



V1 3,5x16 x4	H3 x4	COUL x1
------------------------	--------------	----------------

